

# MAUI ULTIMA

## 2 berth motorhome

Designed to accommodate 2 adults, the Maui Ultima has flexible and spacious bed configurations. With a clever rear 'U' shape design that enables various layouts. It also includes a built-in BBQ, DVD Player with flat screen TV and ample storage for luggage.



### What's included with the Maui Ultima

- Standard Liability with a nil excess
- Unlimited km's
- Extra Driver fees
- Thl Roadtrip App with travel and vehicle tips
- Linen exchange
- Picnic table and chairs
- Portable fan heater (on request)
- Dustpan & brush, fire extinguisher, bucket and hose, matches, clothesline and pegs and hangers
- Plates, bowls, cups, cutlery and cooking utensils, wine and drinking glasses, coffee plunger, gas/whistle kettle and toaster
- Pillows and pillowcases, duvets (doonas), sheets, towels, bathmat and blanket



## Vehicle Specifications

- Mercedes-Benz or similar
- Cruise Control
- 12V battery / 240V mains power / Solar Panel
- Automatic transmission
- Engine: 2.2L Turbo diesel
- Fuel capacity: 71L

## Features

- 2 Seatbelts in Driver Cab
- Pressurised Hot & cold water
- Shower
- Toilet
- 75L-85L freshwater tank
- 55L-104L litres wastewater tank
- Kitchen Sink
- Fridge/Freezer 78L-130L
- Microwave - operates when connected to 240V mains power
- Gas Cooker
- Bluetooth, USB, AM/FM Radio & CD Player
- DVD player with flat screen and HDMI input
- Gas Bottle
- Air conditioning Drivers' Cab
- Heating Drivers Cab / Main Cab (240v/Diesel)
- Driver & passenger airbags in the driver's cabin
- Internal walk-through access
- Reversing Camera
- External Table (New Zealand Only)
- Fire extinguisher
- DVD player with flat screen and HDMI input

## Sleeping for up to 2 Adults

- Rear - Double Bed 1.90m x 1.70m / 1.91m x 1.78m

## Vehicle Dimensions

- Length 7.05m - 7.20m
- Width 1.93m - 2.04m
- Height 2.80m – 3.10m
- Interior Height 1.90m –1.92m



## Thl Roadtrip App

- Displays your current GPS location.
- Can suggest activities and experiences near you.
- Safe driving videos.
- Operational 'How to' & troubleshooting videos for the motorhome.
- Locates useful things like campgrounds, waste stations, petrol stations & LPG refill points.

## Optional Express Return Pack

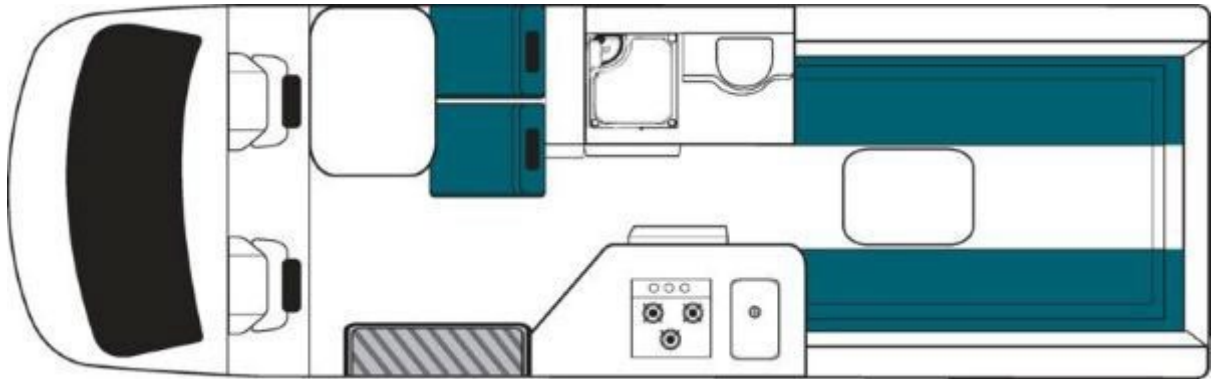
Offering you a quick and convenient service when returning the motorhome, the Express Return Pack includes:

- Return your motorhome with an empty fuel tank and empty gas bottle
- Toilet and wastewater emptying service on your return
- Road User Charge Recovery fee included (applies to diesel vehicles) • Express key return

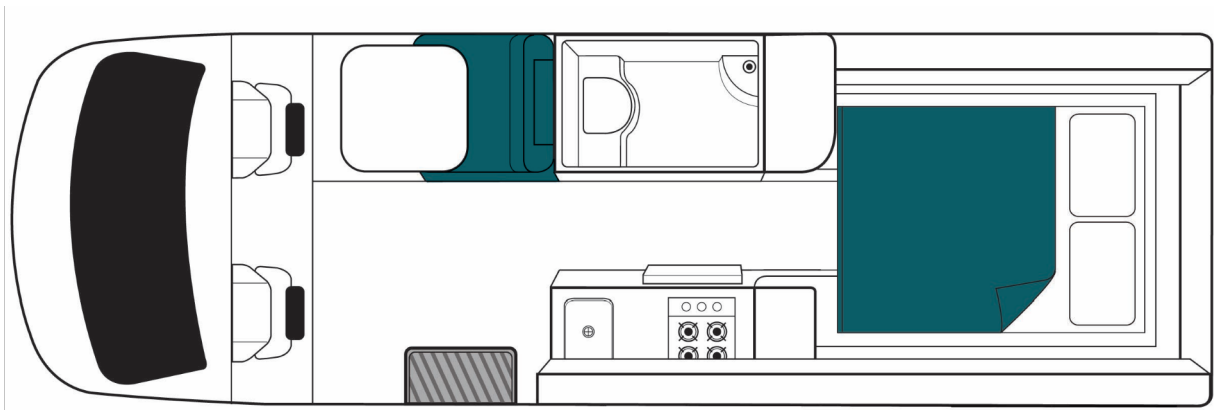


## Maui Ultima Floorplans

Day



Night



Floor plans and specifications are intended as a guide and Maui cannot guarantee exact specifications and layouts.

Available on all independent and tailor-made holidays in Australia.

