

BRITZ EXPLORER

4 berth motorhome

Available on all independent and tailor-made holidays in Australia.



The roomy interior of the 4 berth Explorer is an ideal choice for a family or close group of friends. Features include a fully equipped kitchen, bathroom, spacious living area and two double beds, which all help to create a comfortable holiday home when travelling around Australia.

What's included with the Britz Explorer

- WiFi including 1GB of data
- Cooking equipment
- Linen and bedding (including pillows, pillowcases, duvet, sheet and towels)
- Toilet and shower
- Extra driver fees
- Reversing Camera
- Excess liability reduced to zero
- Single vehicle rollover cover
- Full gas canister (LPG)
- Snow chains (if required)
- Portable fan heater (on request)
- 1 x child or booster seat (if required)
- Picnic table and chairs (1 chair per person travelling)



Vehicle Specifications

- Vehicle make: Mercedes / Volkswagen
- Automatic
- Power steering
- Air-con: Drivers Cab + Main Cab
- Heating: Drivers Cab + Main Cab
- Fuel tank capacity: 75L
- Fresh water tank: 82L – 90L
- Waste water tank: 82L – 90L
- 2 seatbelts in the driver's cab
- 2 seatbelts in the main cab
- Power supply: 240v mains/12v battery/solar power
- Fire extinguisher
- First aid kit (to be purchased if opened)
- Fridge/freezer: 130L - 140L
- Microwave (mains power)
- Sink
- Gas stove
- Cutlery & cooking utensils
- Crockery and glasses
- Pots and pans
- Kettle and toaster
- Pressurised water
- Personal safe
- Reversing Camera
- Radio and CD player
- AUX input
- DVD player with flat screen TV
- Toilet
- Shower

Sleeping for up to 4 Adults

- Rear - Double Bed 2.10m x 1.45m
- Over Cab - Double Bed 1.96m x 1.53m

Vehicle Dimensions

- Length – 7.15m / 7.20m
- Width - 2.38m
- Height – 3.25m / 3.40m
- Interior Height – 2.10m / 2.15m

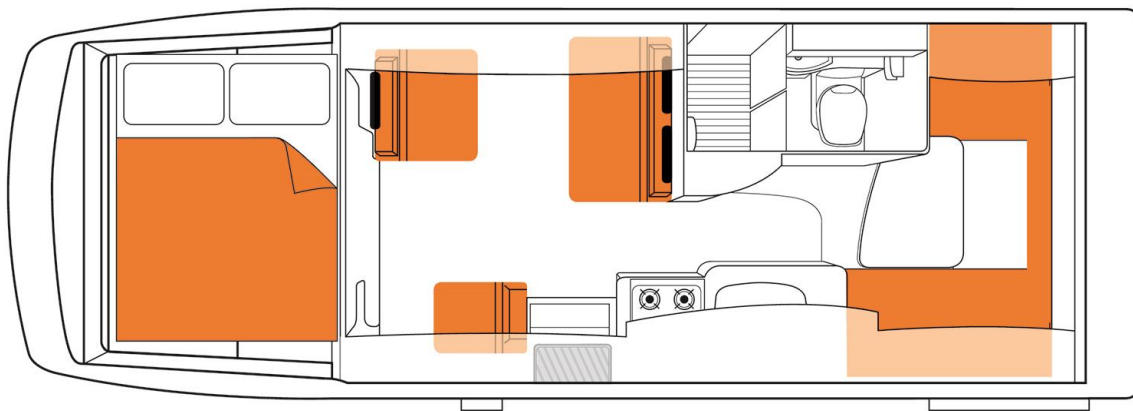


In-Vehicle Tablet

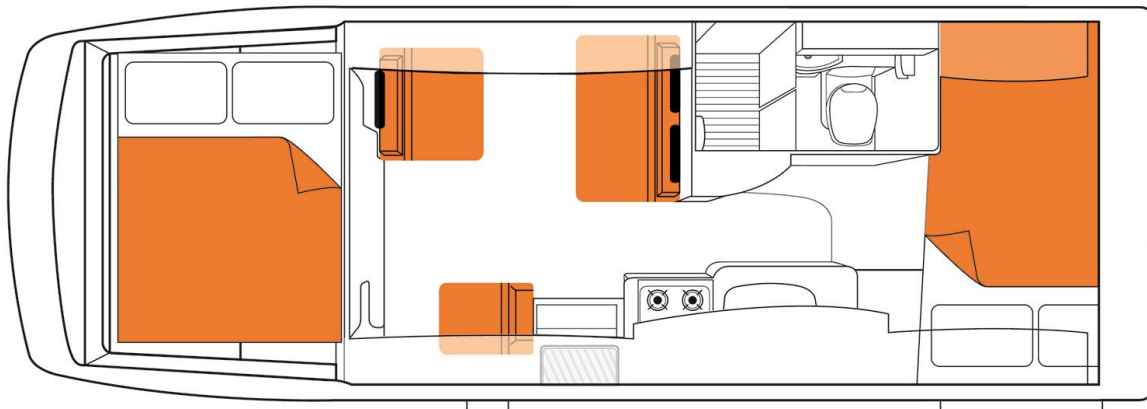
- Sat Nav/GPS built in – to get you from A to B and everywhere in between
- Can suggest activities and experiences near you that you can book with the tablet
- Safe driving videos
- Operational 'How to' & troubleshooting videos for the motorhome
- Enable a Wi-Fi Hotspot
- Locate useful things like campgrounds, waste stations, petrol stations & LPG refill points

Britz Explorer Floorplans

Day



Night



Floor plans and specifications are intended as a guide and Britz cannot guarantee exact specifications and layouts.

Optional Express Return Pack

Offering you a quick and convenient service when returning the motorhome, the Express Return Pack includes:

- Return your motorhome with an empty fuel tank and empty gas bottle
- Toilet and waste water emptying service on your return
- Express key return

